

DECLARATION OF PERFORMANCE
No-Sikla 0090-B
REGULATION (EU) No 305/2011

EN

Unique identification code of the product-type	TP F Beam Section
Type number	see "Anhang-Sikla EN1090-1 Conformed Items"
Intended use	Structural steel work ≤ EXC 2
Manufacturer	Sikla GmbH, In der Lache 17 78056 Villingen-Schwenningen Deutschland
System of AVCP	System 2+
Harmonised standard	EN 1090-1:2009+A1:2011
Notified body	TÜV Rheinland Industrie Service GmbH NB 0035
Performance property	Declared performance
<hr/>	
Tolerances on dimensions and shape	EN 1090-2: 2018
Weldability	Not designed for
Fracture toughness / Impact strength	NPD (T<6)
Load-bearing Capacity	see "Anhang"
Deformation in serviceability limit state	NPD
Fatigue strength	NPD
Resistance to Fire	NPD
Reaction to fire	A1 (Steel) EN 13501-1
Release of Cadmium and its compounds	NPD
Emmision of Radioactivity	NPD
Durability	Hot dip galvanized EN ISO 1461:2009-10

The performance of the product identified above is in conformity with the set of declared performances. This declaration of performance is issued, in accordance with Regulation (EU) No 305/2011, under the sole responsibility of the manufacturer identified above.

Signed for and on behalf of the manufacturer by:

Villingen-Schwenningen, 06.12.2022

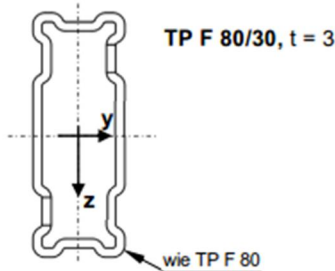
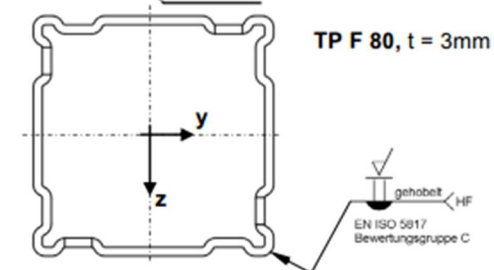
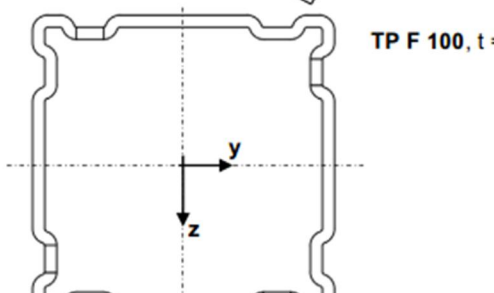
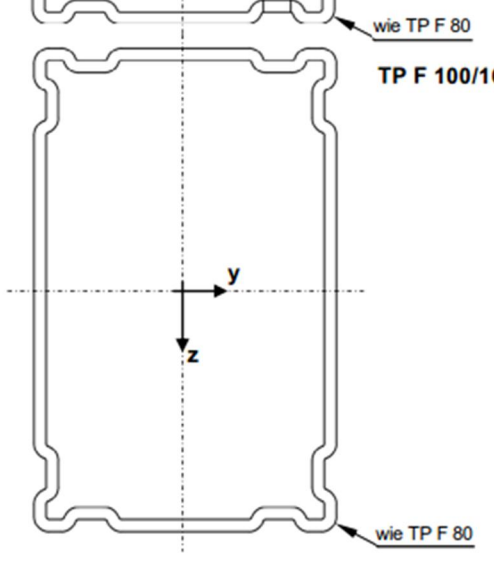






Günter Brügger | Head of IPRM



Achim Münch | Head of QM

Anhang:

<p>TP F 80/30, t = 3mm</p>  <p>TP F 80, t = 3mm</p>  <p>TP F 100, t = 4mm</p>  <p>TP F 100/160, t = 4mm</p> 		<p>Biegeradien R = 1mm Verdrehung 0,8mm/m Geradheit 1,2mm/m</p>    
<p>Befestigungs- und Rahmensystem siFramo Trägerprofile TP F</p>		<p>Anlage 1</p>
<p>Übersicht Trägerprofile Blechdicken und Schweißnahtangabe</p>		

Profil TP F	Effektive Querschnittswerte für Verformungsberechnungen					
	A_{eff} [mm ²]	$I_{y,eff}$ [mm ⁴]	$I_{z,eff}$ [mm ⁴]			$I_{T,eff}$ [cm ⁴]
80/30	257	311 000	62 300			7,91
80	473	615 000				45,10
100	760	1 730 000				129,00
100/160	1420	5 480 000	2 700 000			186,00
	Tragfähigkeiten					
	N_{Rd} [kN]	$M_{y,Rd}$ [kNm]	$M_{z,Rd}$ [kNm]	$V_{z,Rd}$ [kN]	$V_{y,Rd}$ [kN]	$M_{T,Rd}$ [kNm]
80/30	155	2,21	1,33	9,21	16,90	0,445
80	194	4,08		23,30		1,350
100	424	10,60		36,30		2,920
100/160	500	21,70	13,90	43,90	44,80	4,850

Anhang - Sikla EN 1090-1 Conformed Items

Artikel Nummer <i>Item Number</i>	Bezeichnung <i>Description</i>
113407	TP F 80/30 6m HCP
116475	TP F 80 5,8 m HCP
192539	TP F 80 6m HCP
116932	TP F 80 6,1 m HCP
404800	TP F 80 7 m HCP
116477	TP F100 5,8 m HCP
112904	TP F100 6m HCP
116933	TP F100 6,1 m HCP
117963	TP F100 7m HCP
113943	TP F100 8m HCP
K117881	TP F100 9M HCP
117962	TP F100 10m HCP
112905	TP F100/160 6m HCP
114126	TP F100/160 6,1m HCP
113945	TP F100/160 9m HCP
117961	TP F100/160 10m HCP

The original of this declaration of performance was written in German. In the event of deviations in the translation, the German version shall be valid.